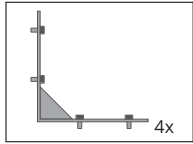
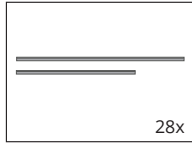


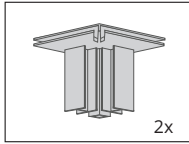
1



FK-0280 (1)



FK-0280 (2)

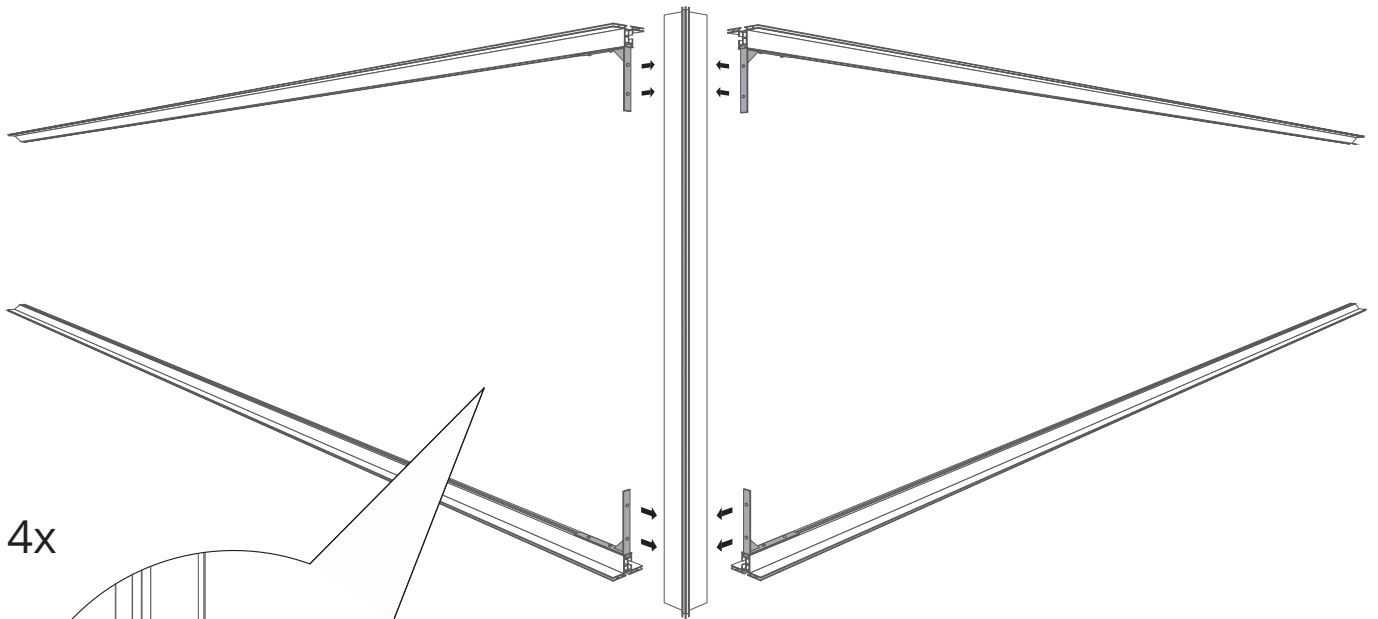
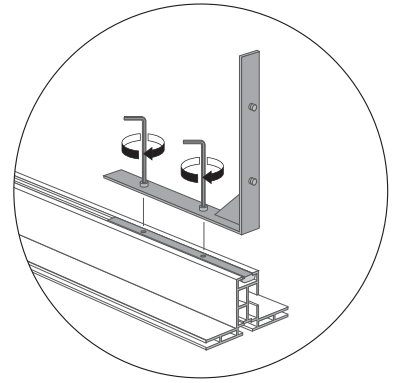
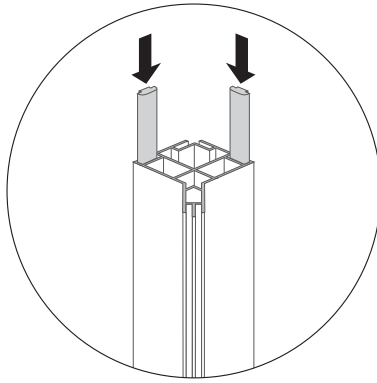
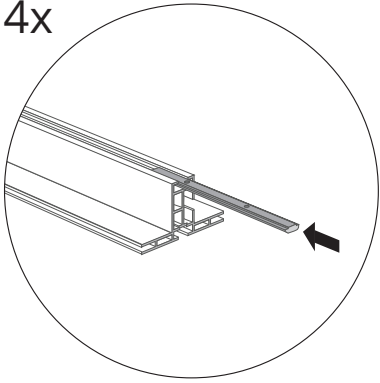


FK-0725

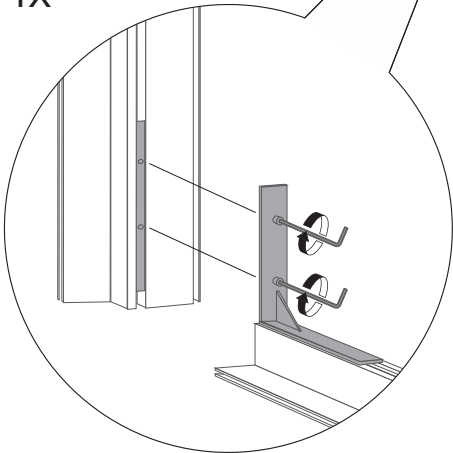
L-FORMATION CARRÉ 80

INSTALLING THE CORNERS

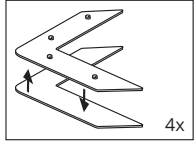
4x



4x

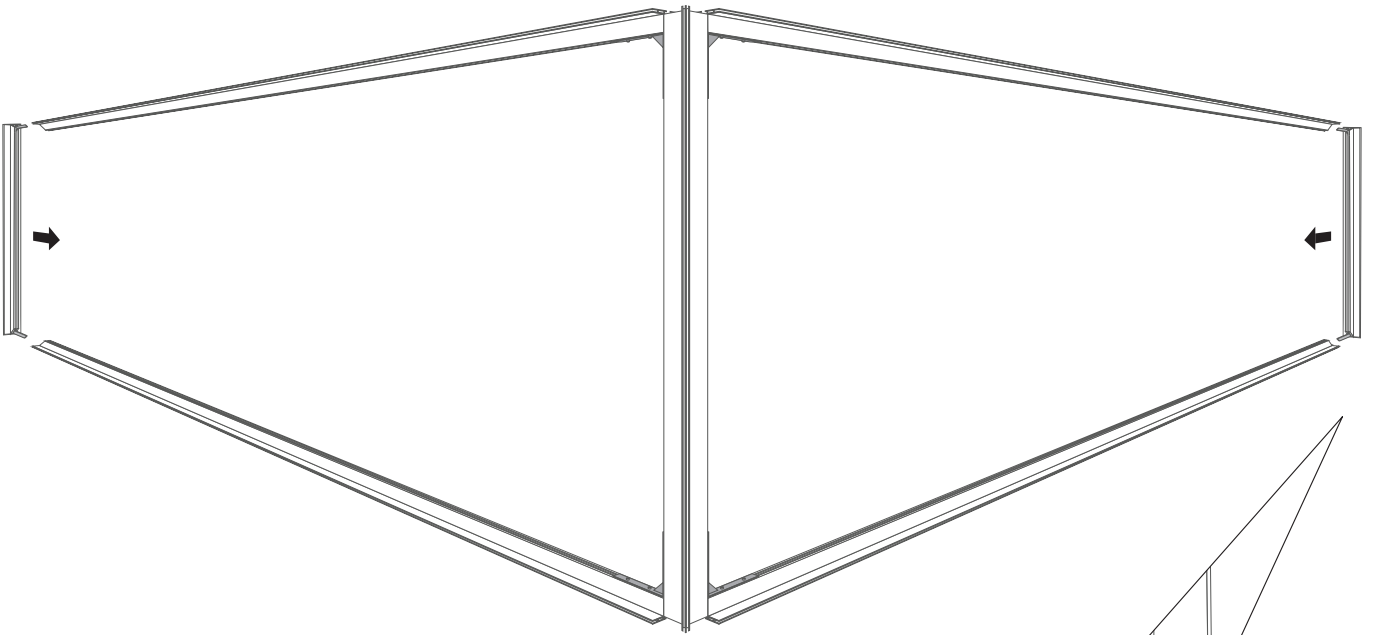
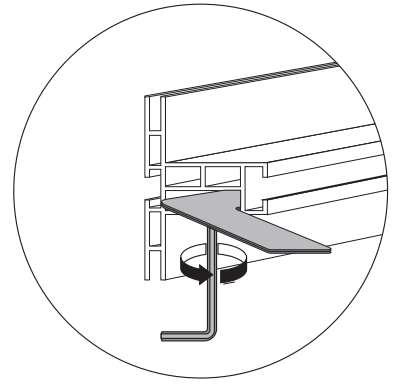
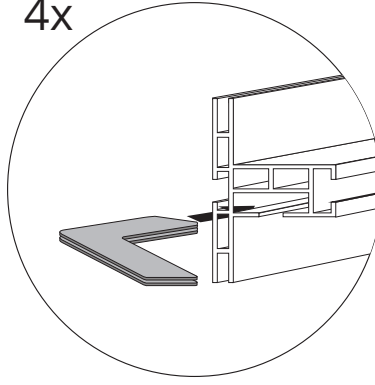


2

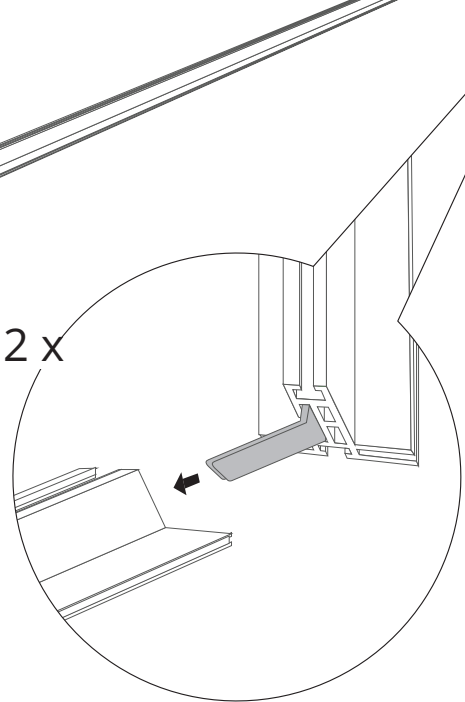


FK-0200

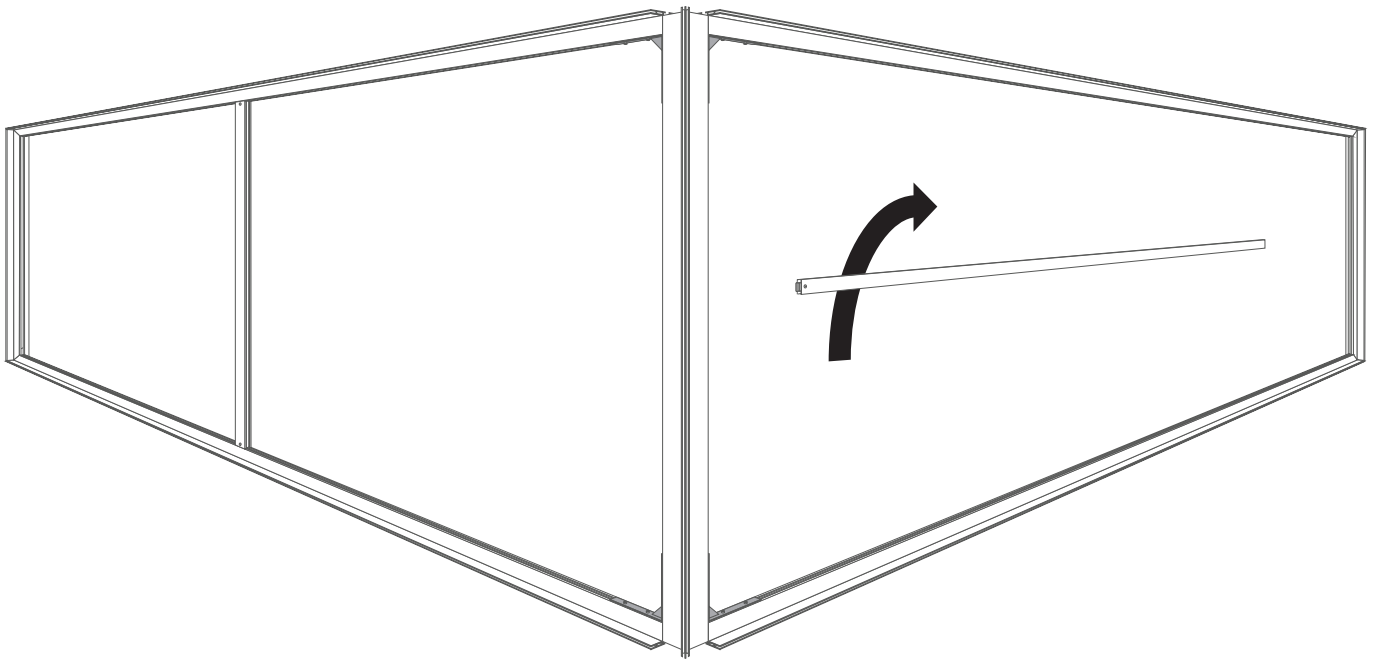
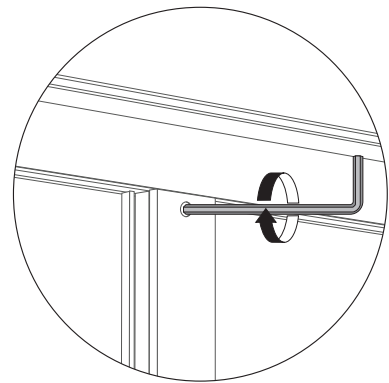
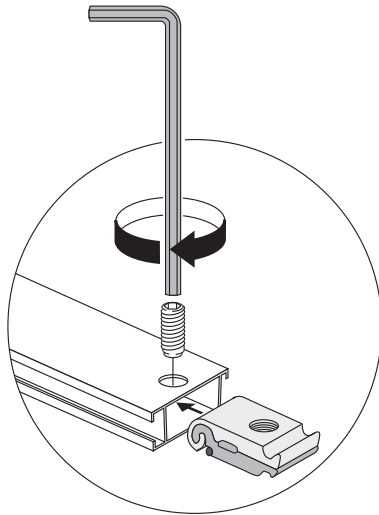
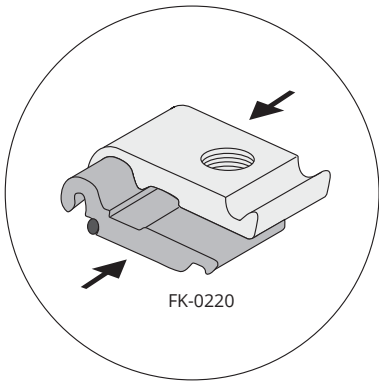
4x



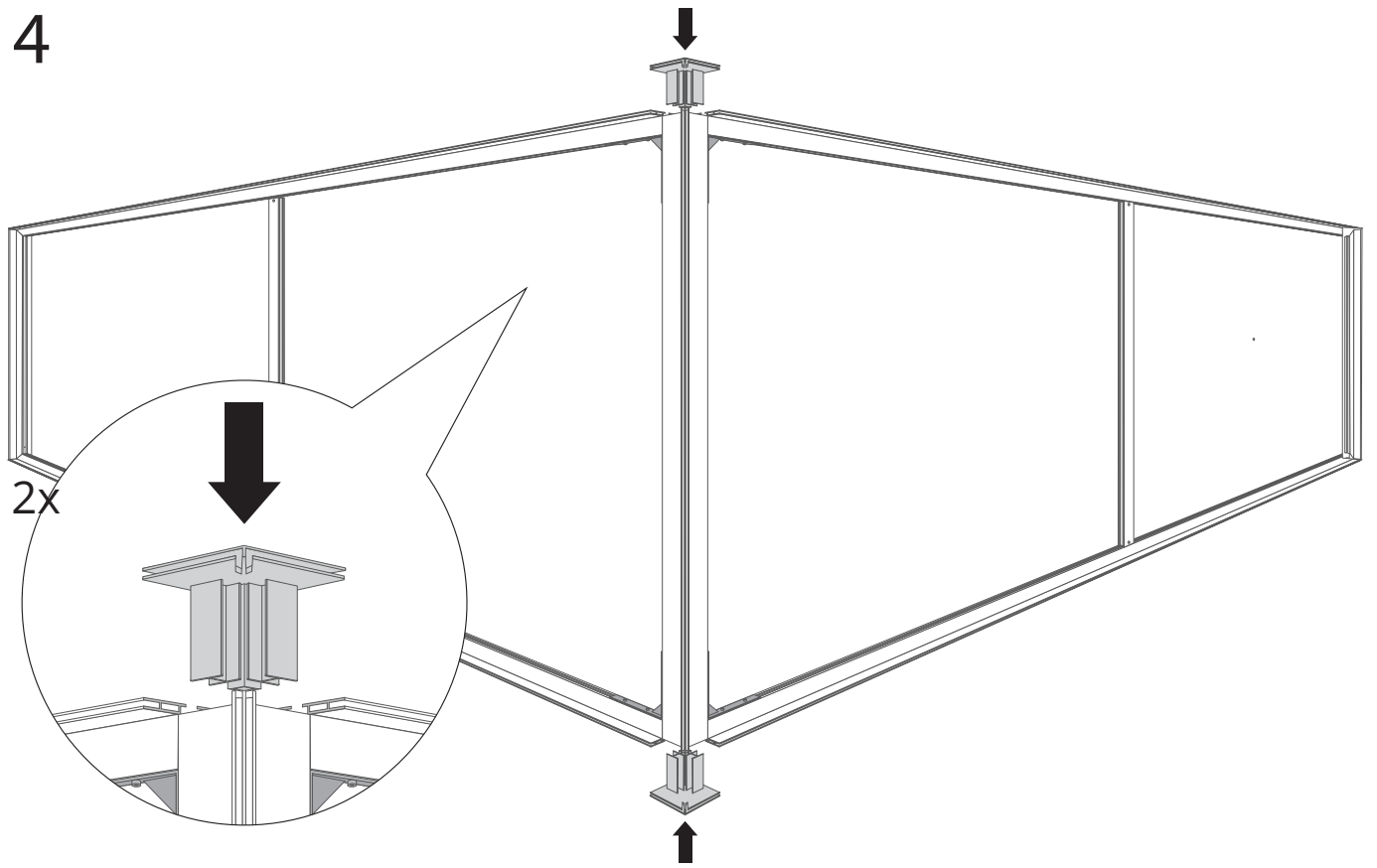
2x



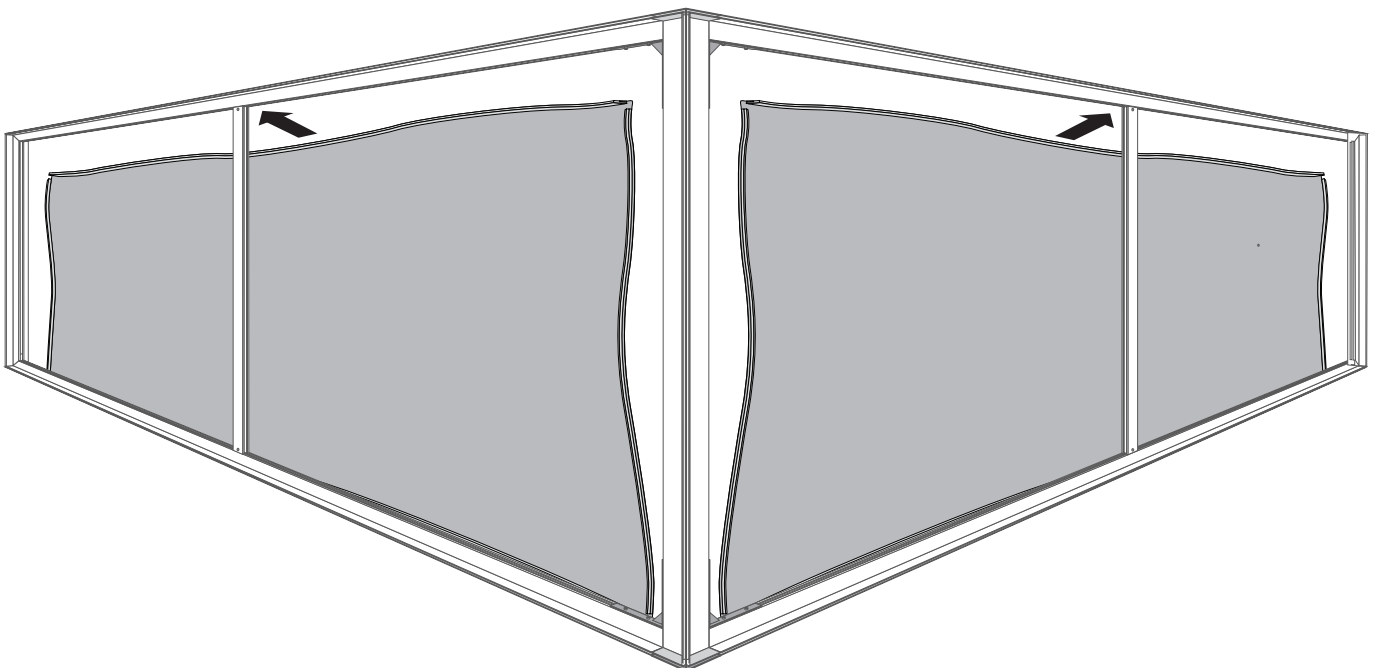
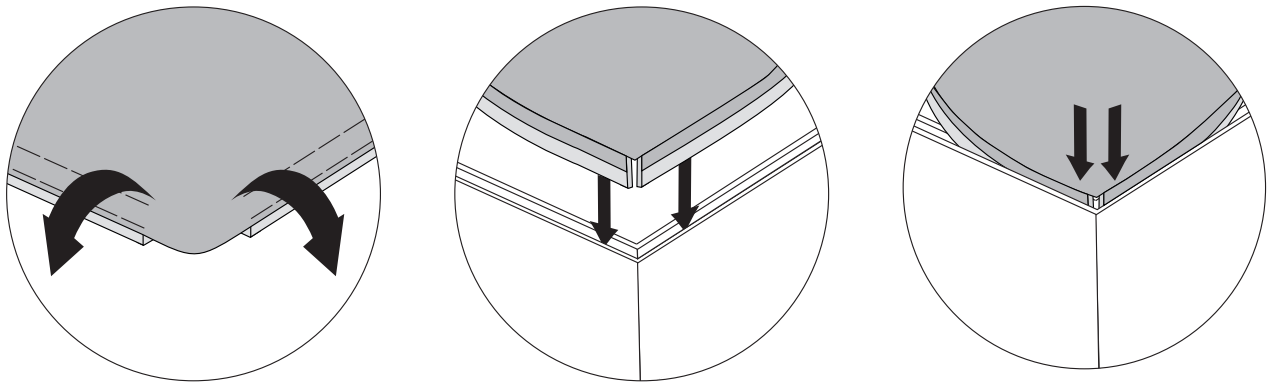
3



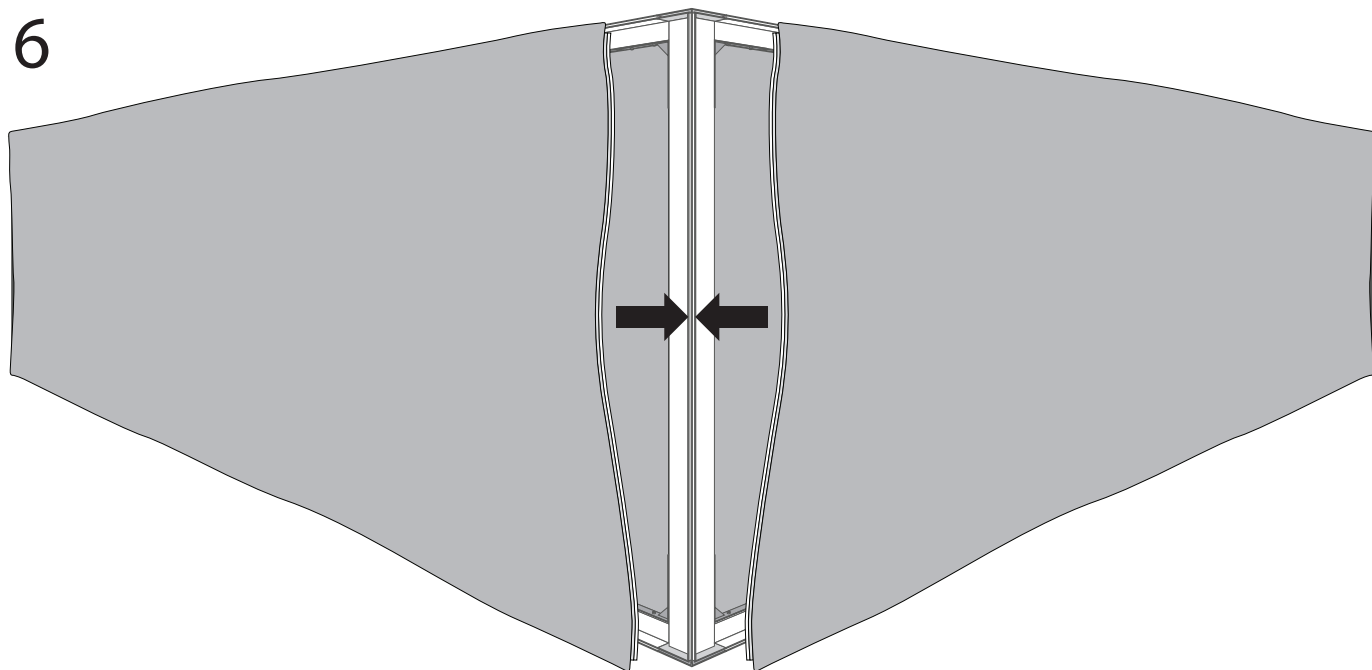
4



5



6



7

