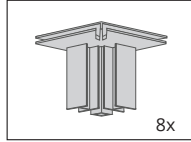
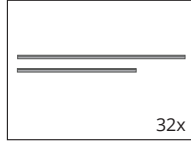
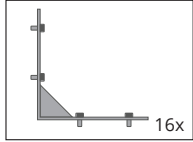
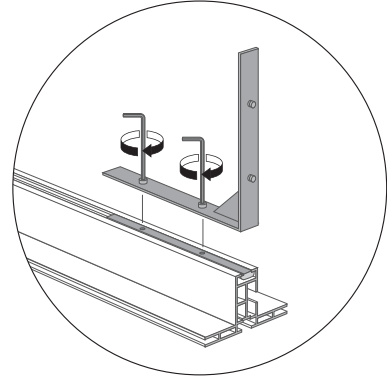
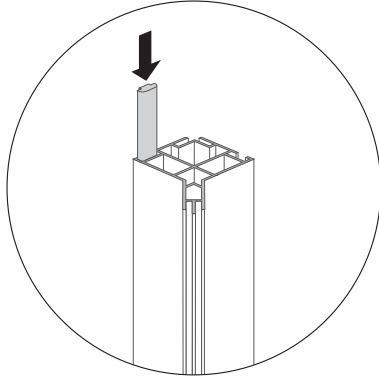
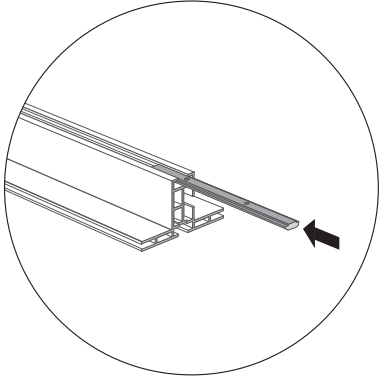


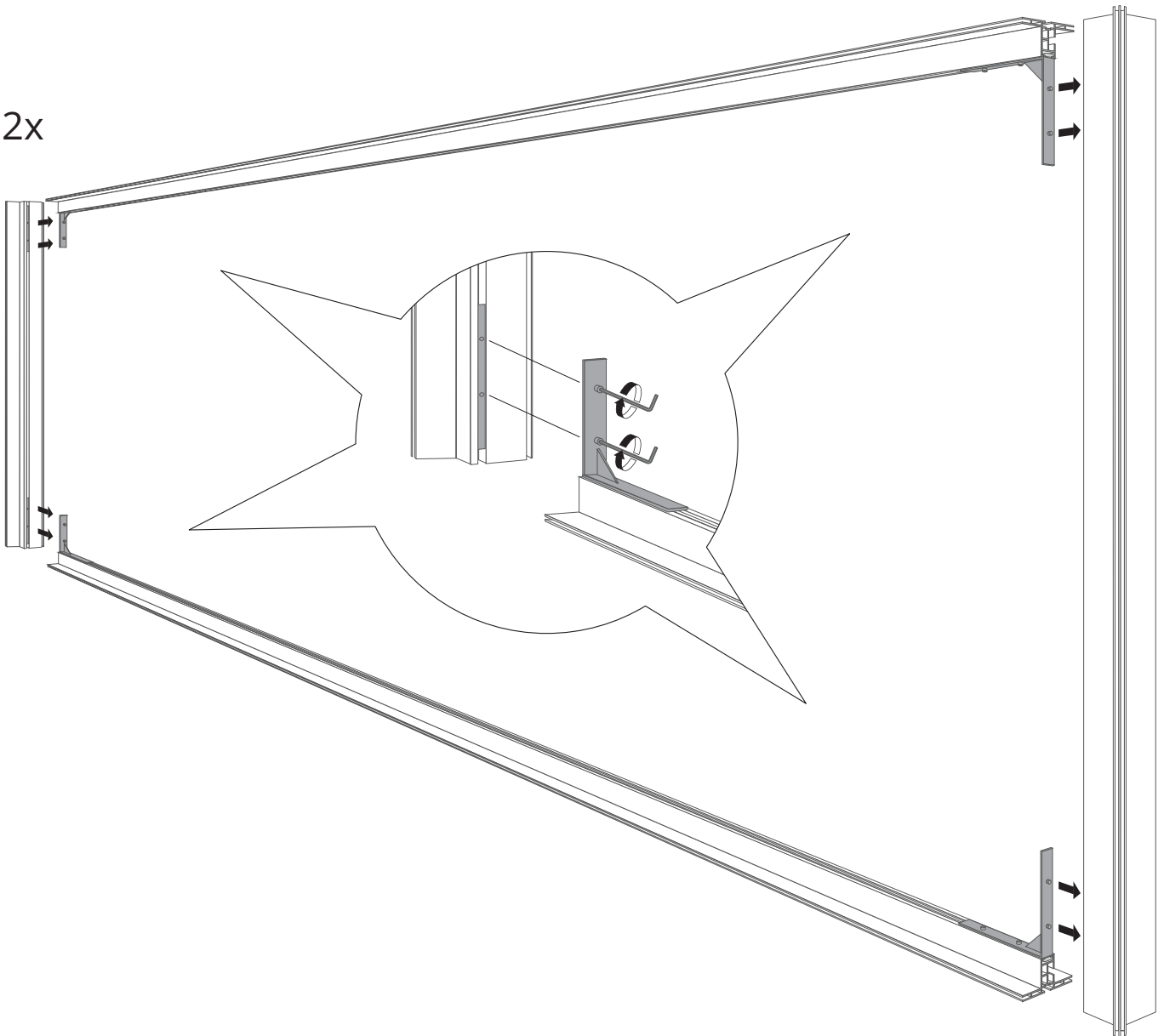
1 O-FORMATION CARRÉ 80



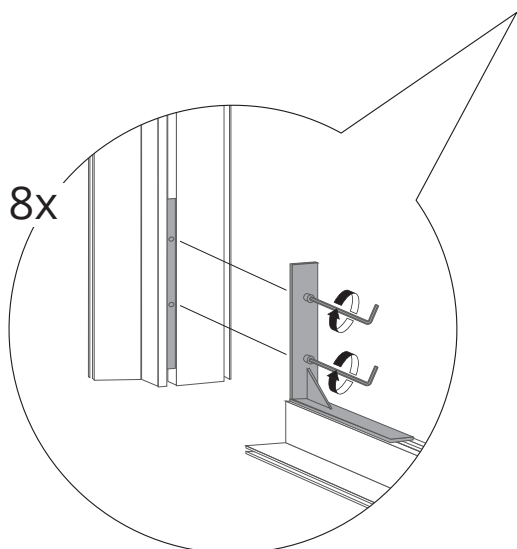
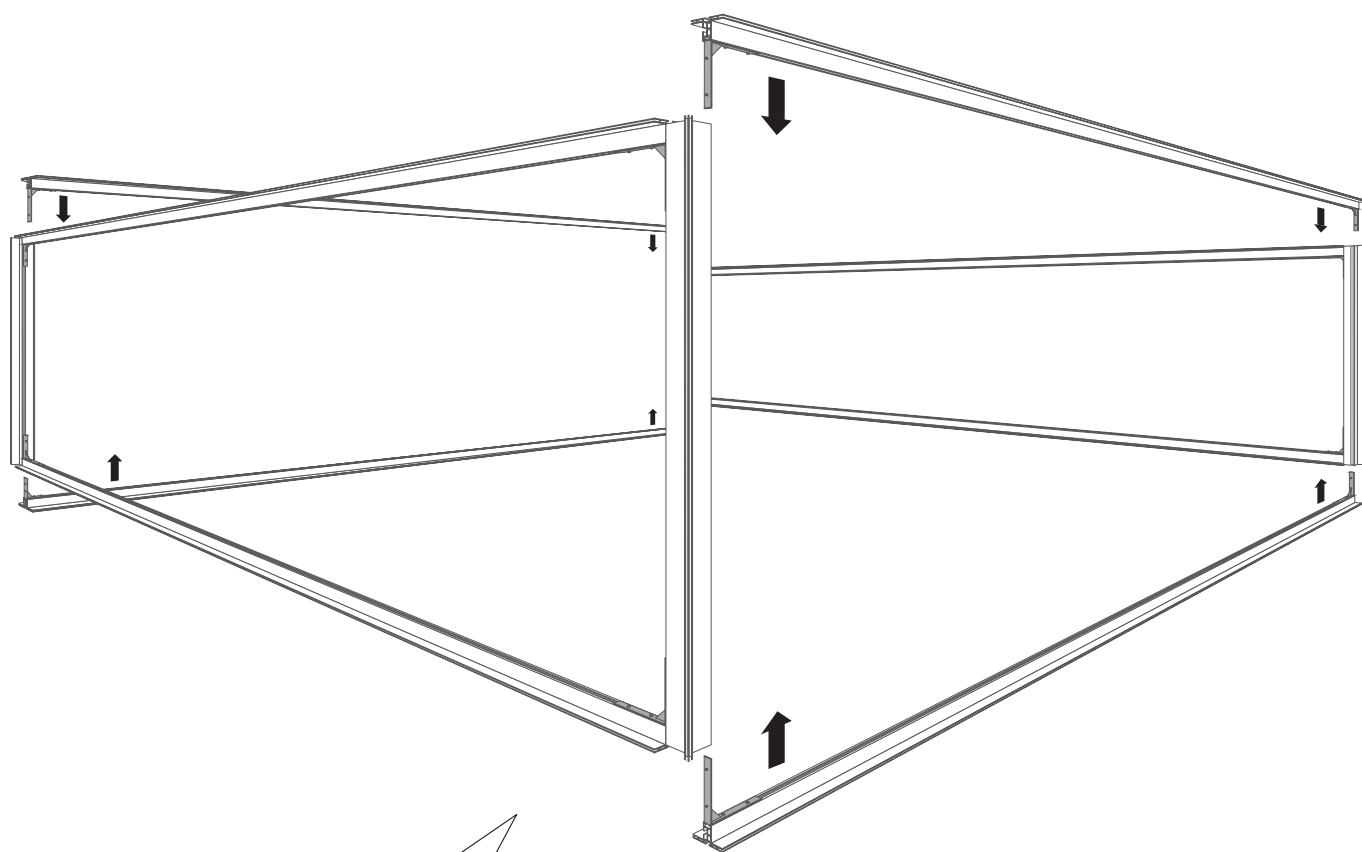
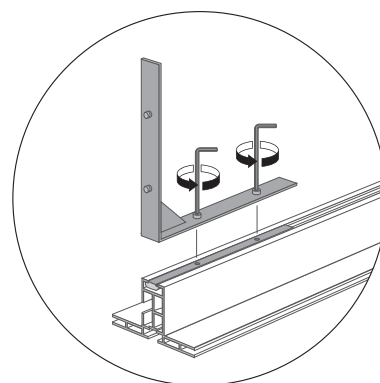
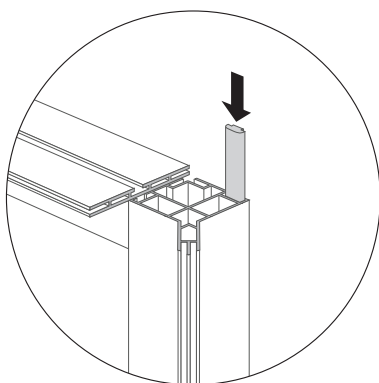
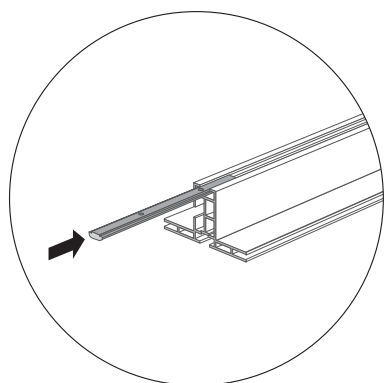
INSTALLING THE CORNERS



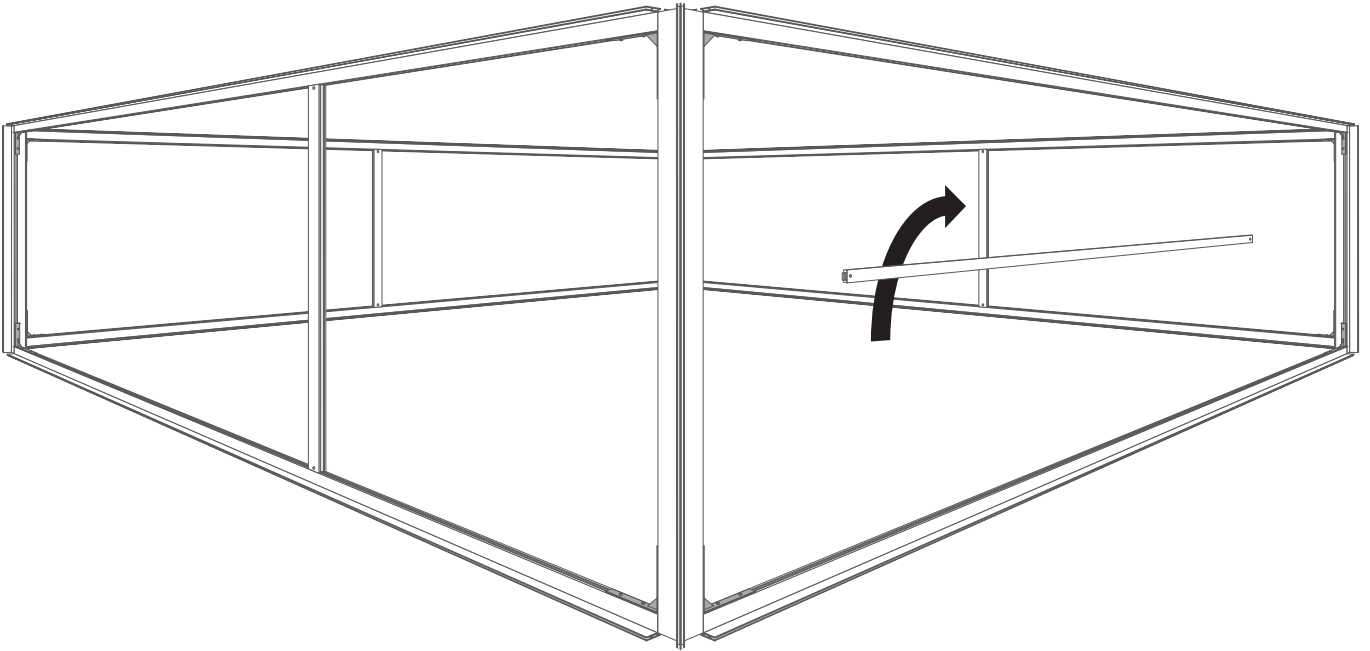
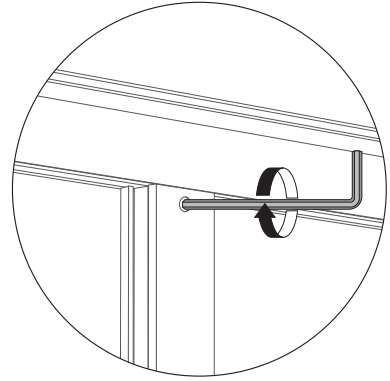
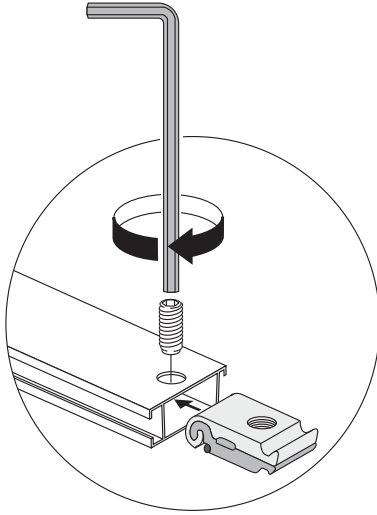
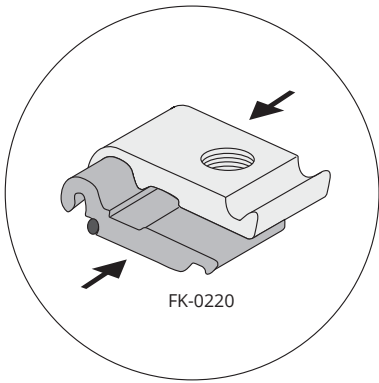
2x

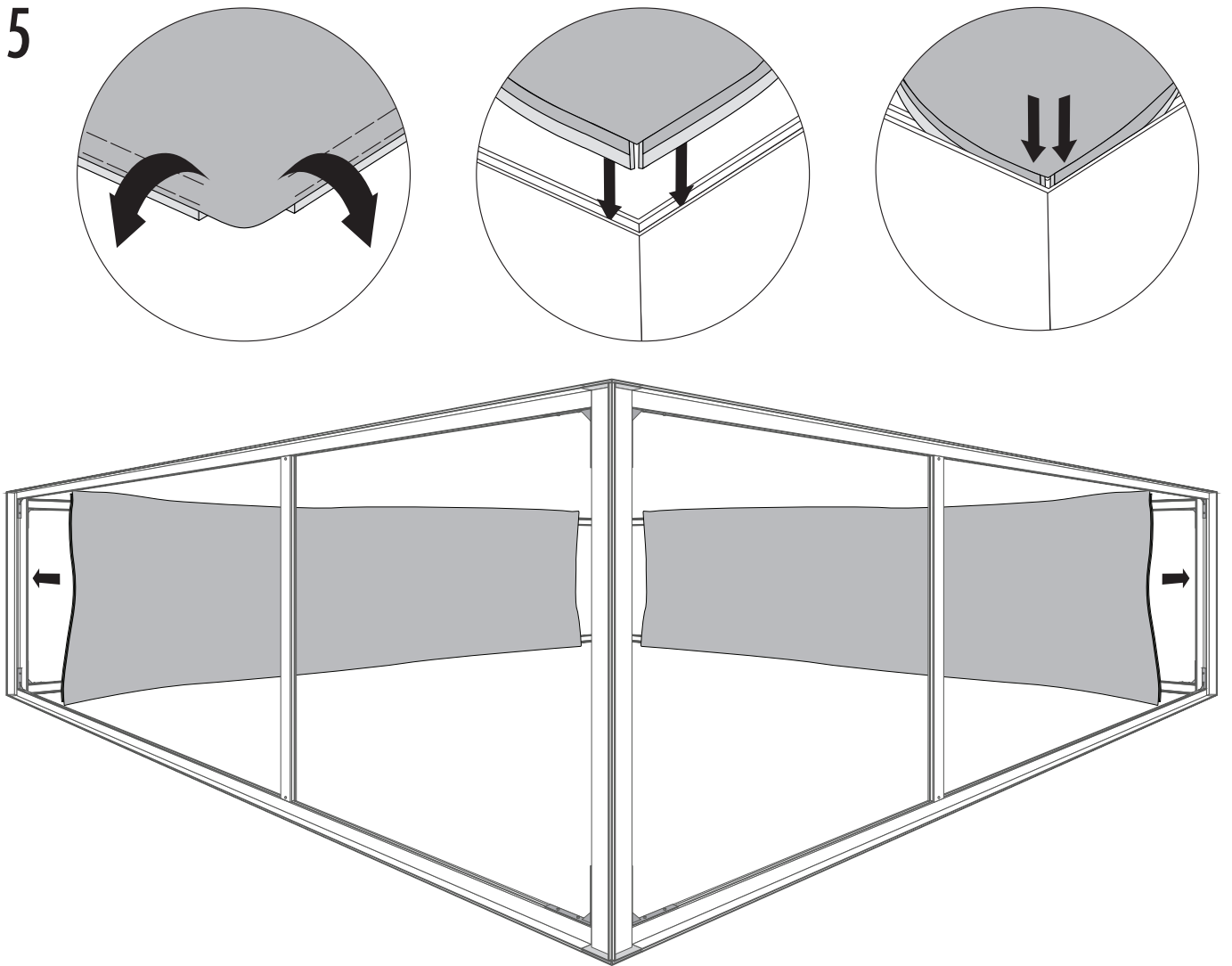
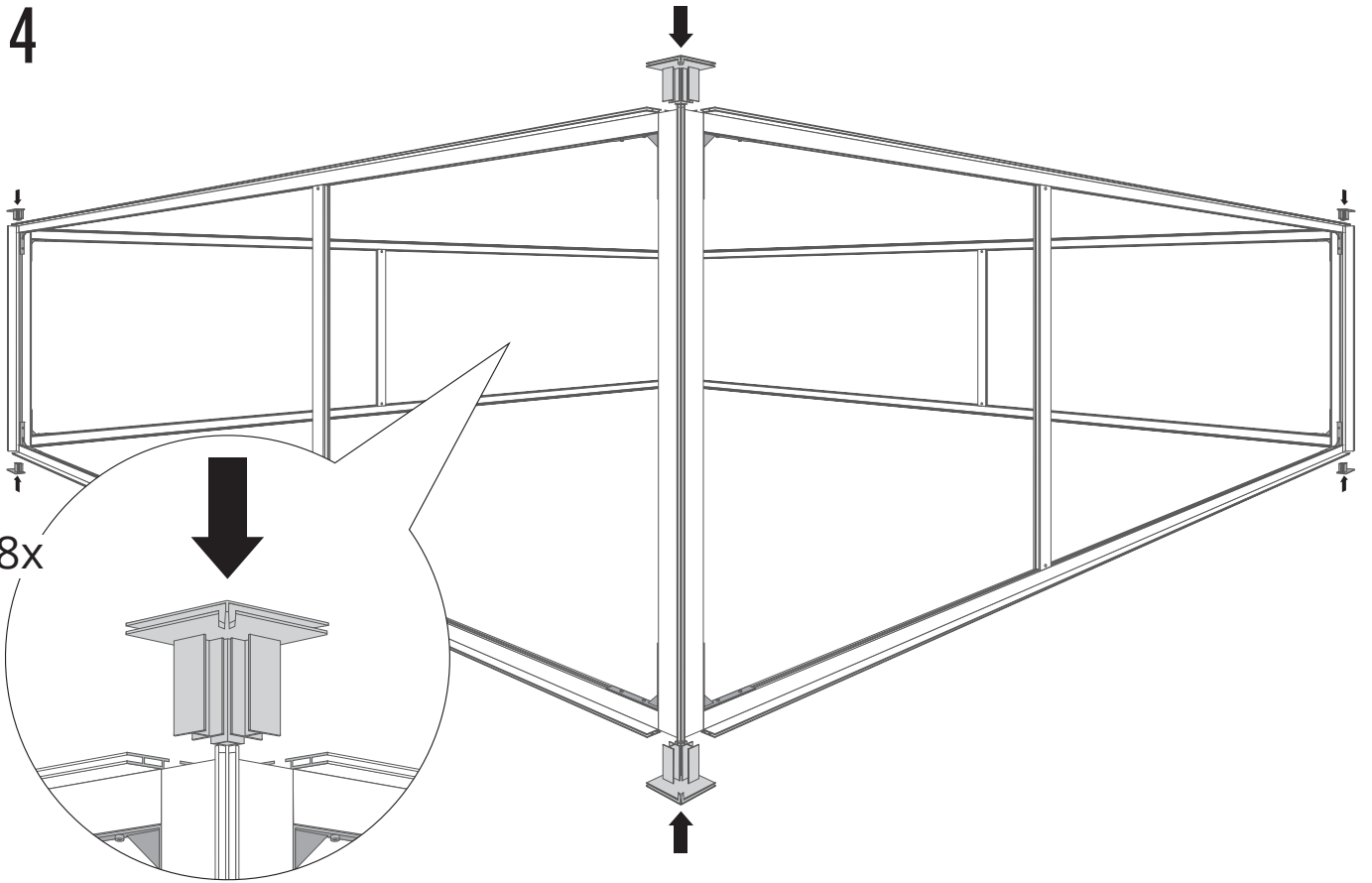


2

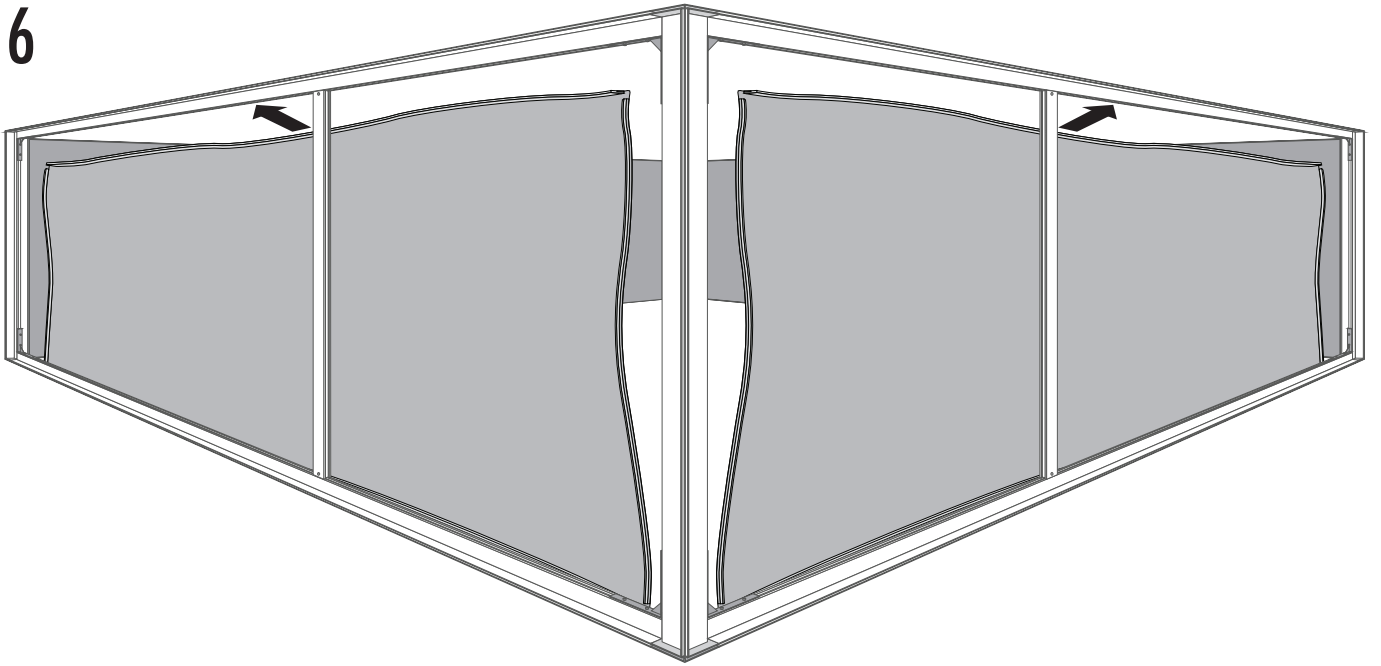


3

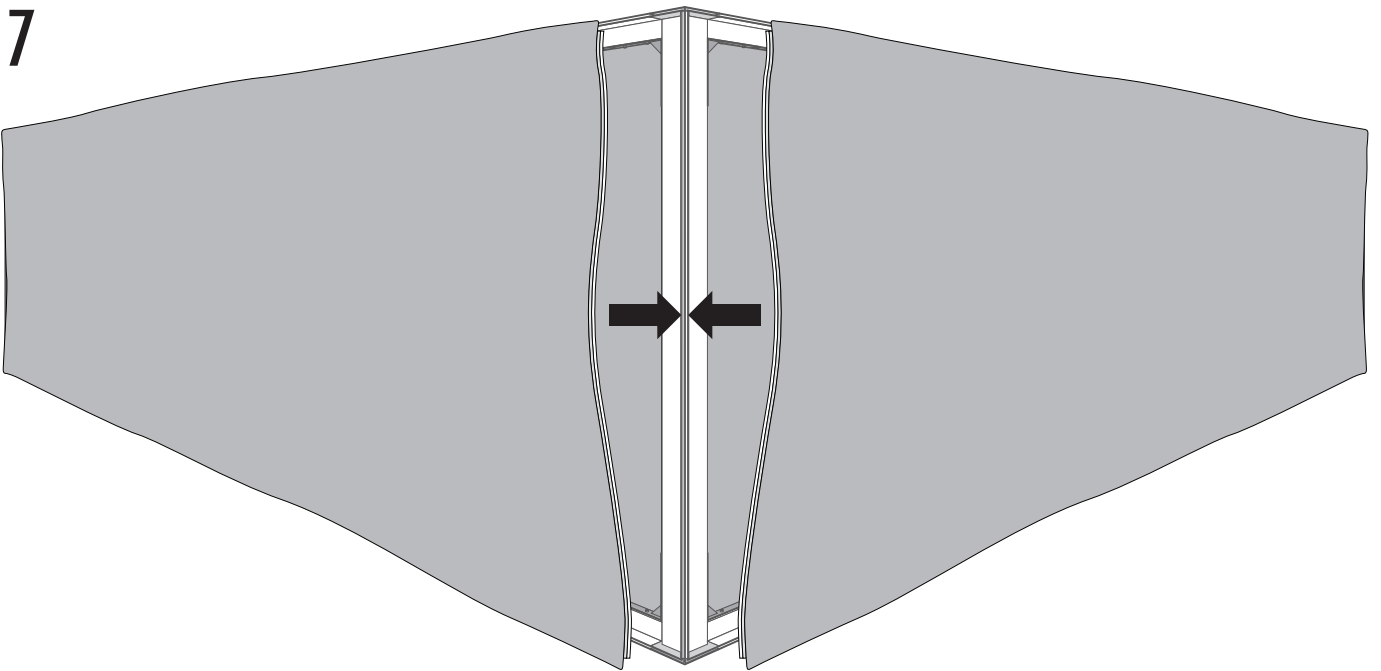




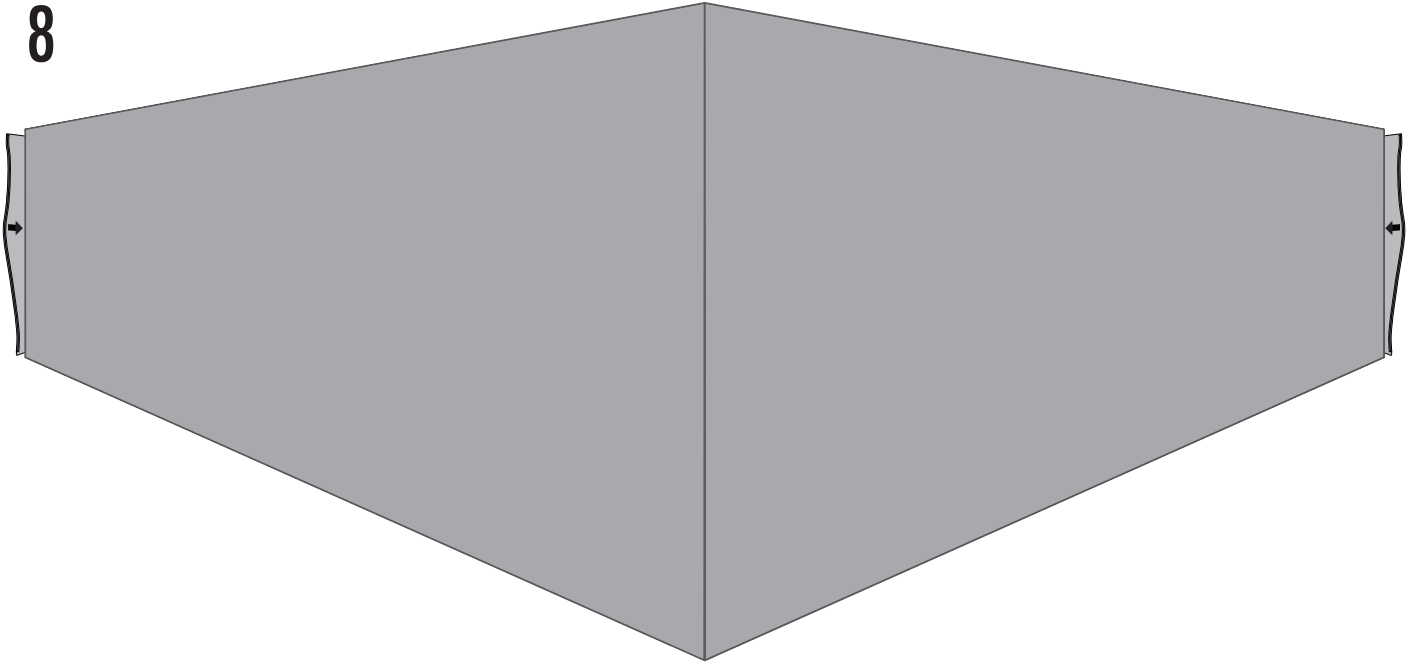
6



7



8



9

