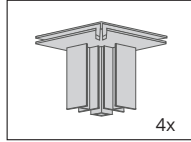
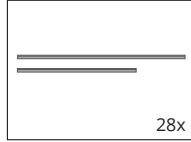
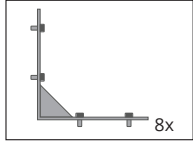
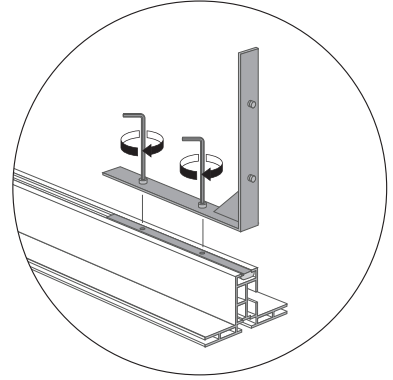
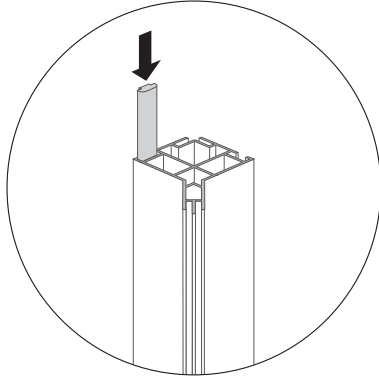
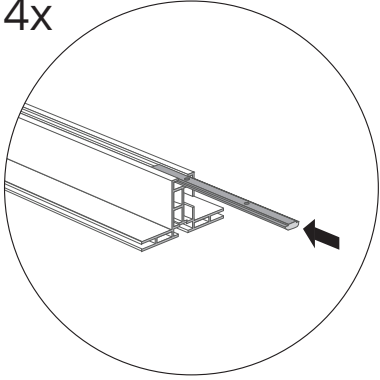


# 1 U-FORMATION CARRÉ 80

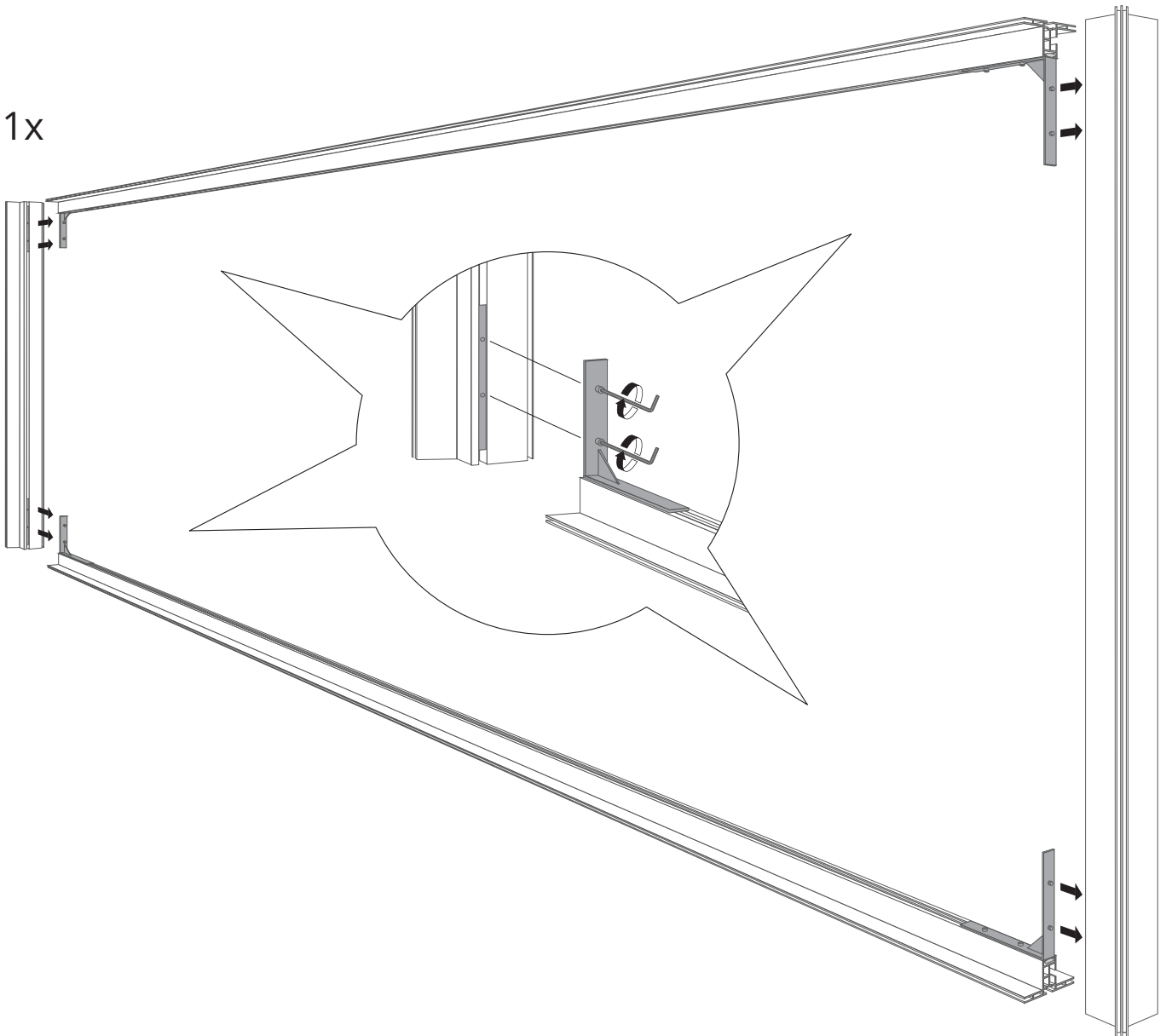


## INSTALLING THE CORNERS

4x

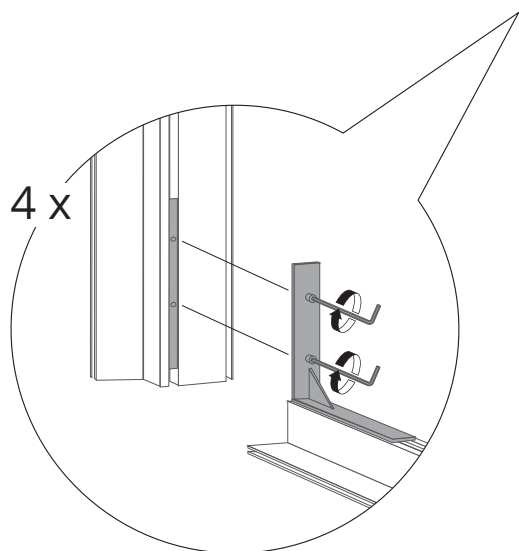
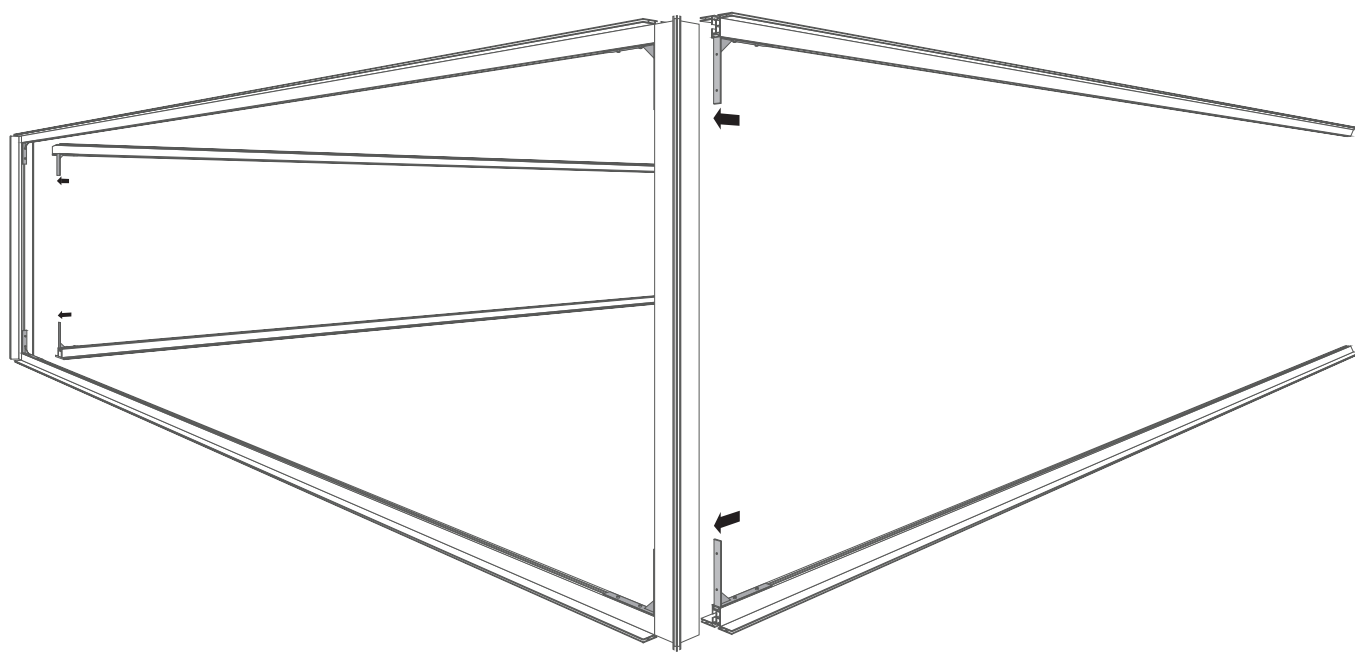
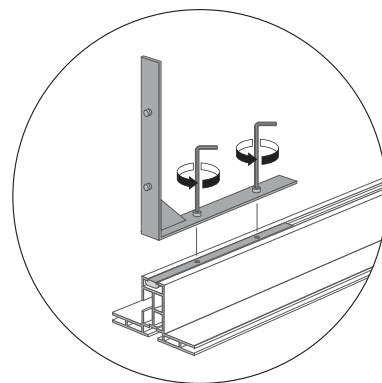
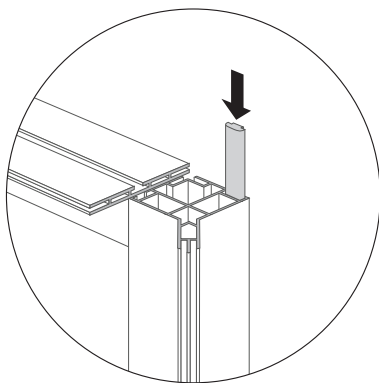
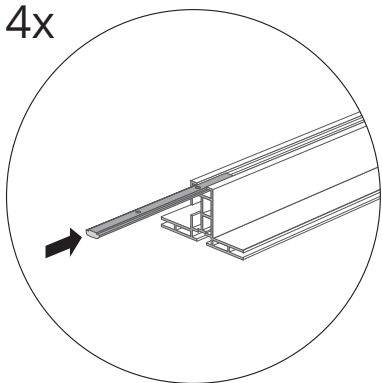


1x

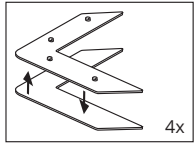


2

4x

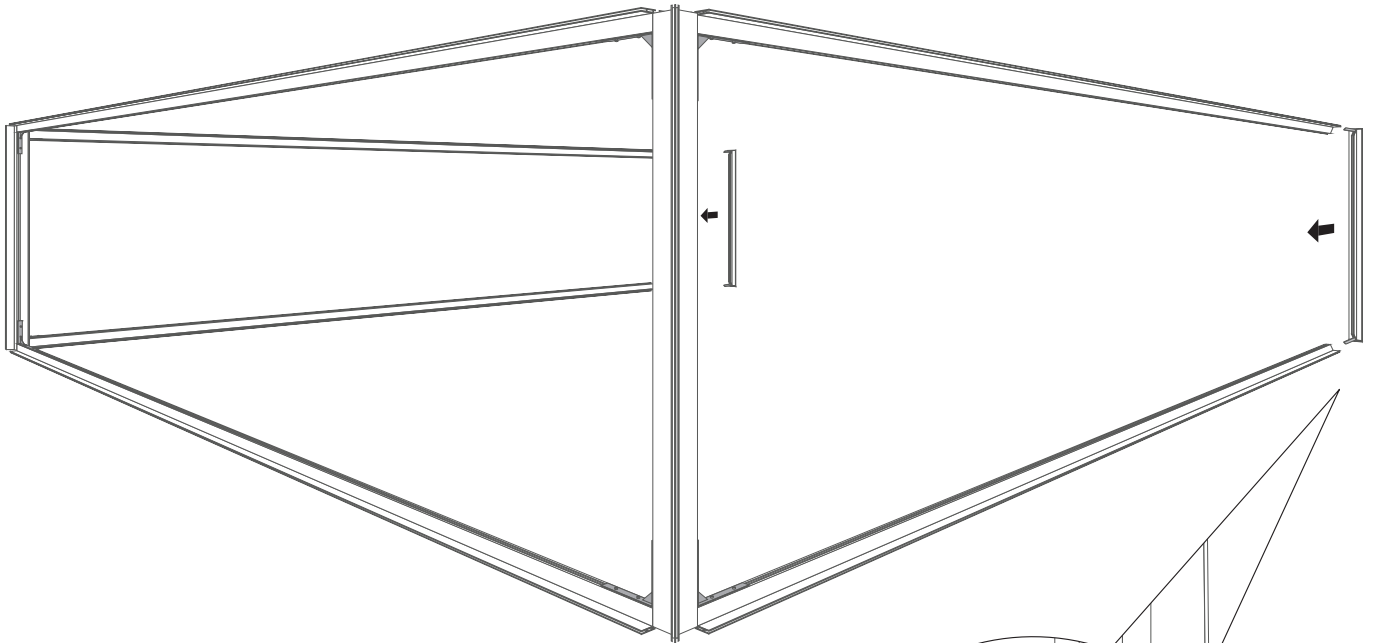
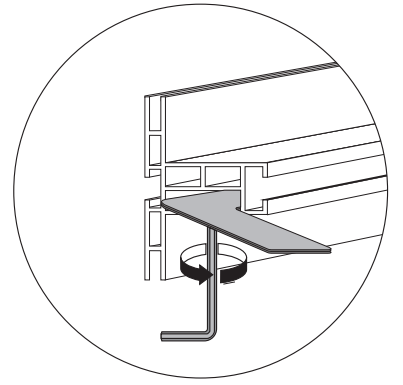
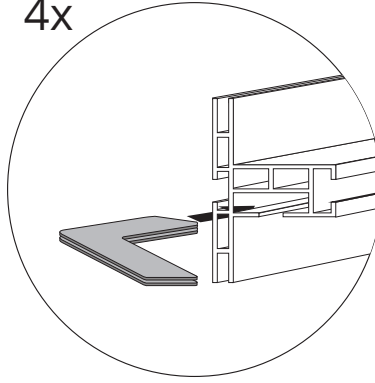


3

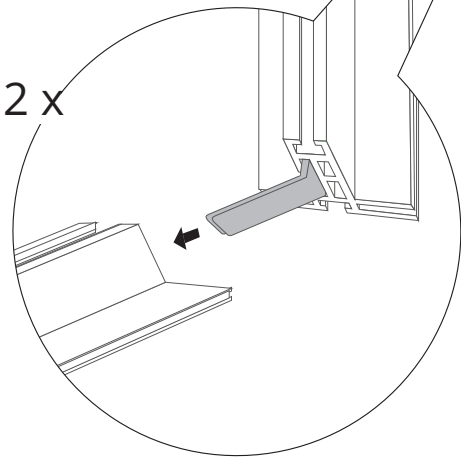


FK-0200

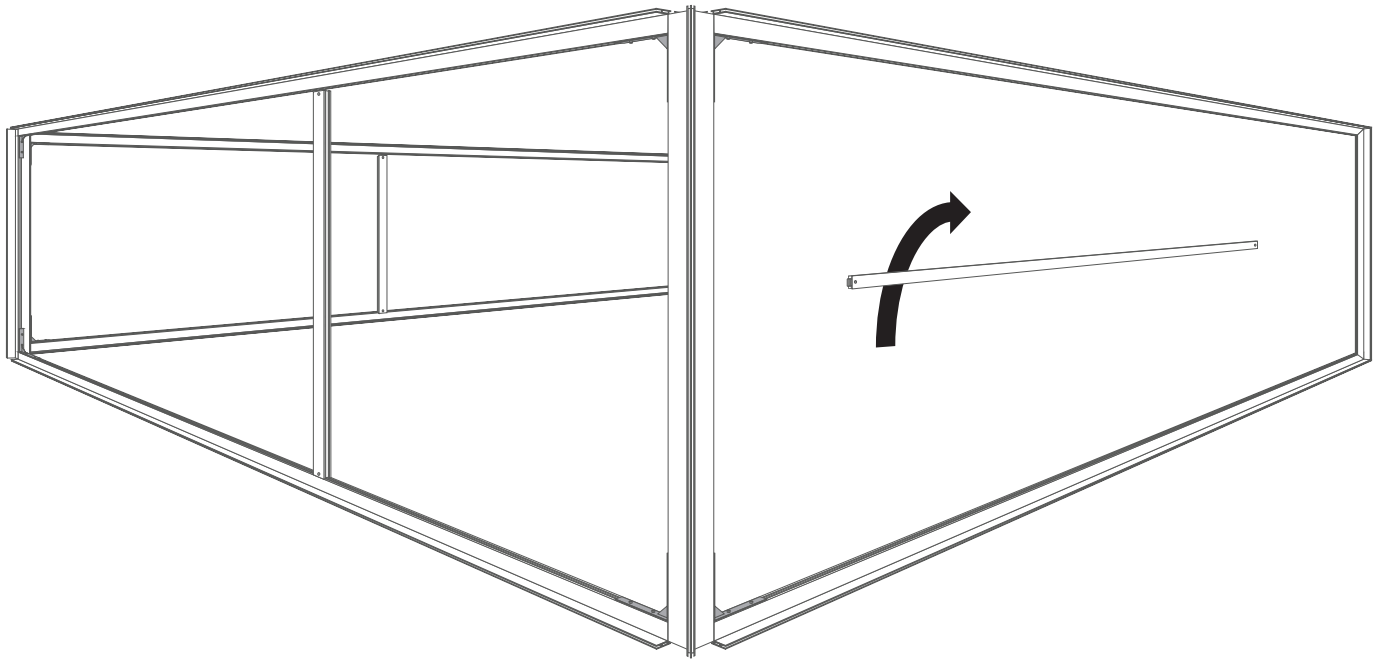
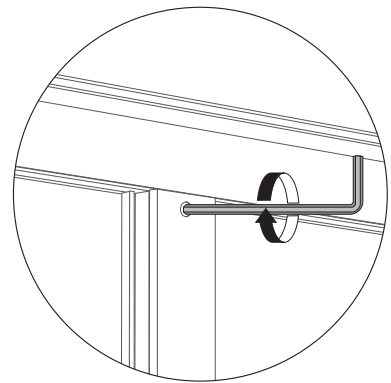
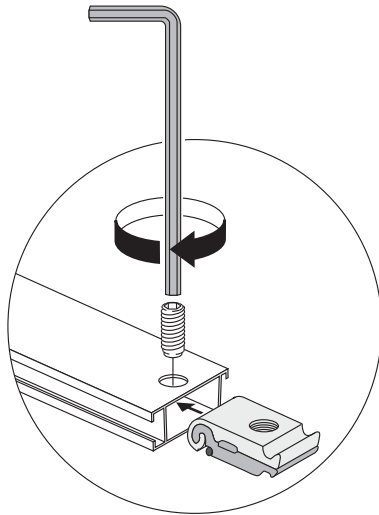
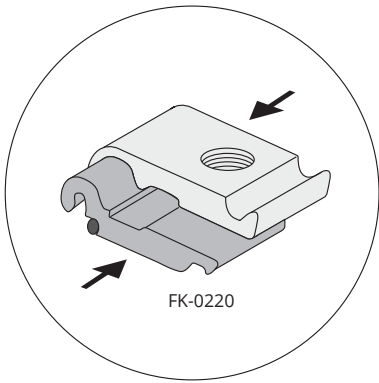
4x

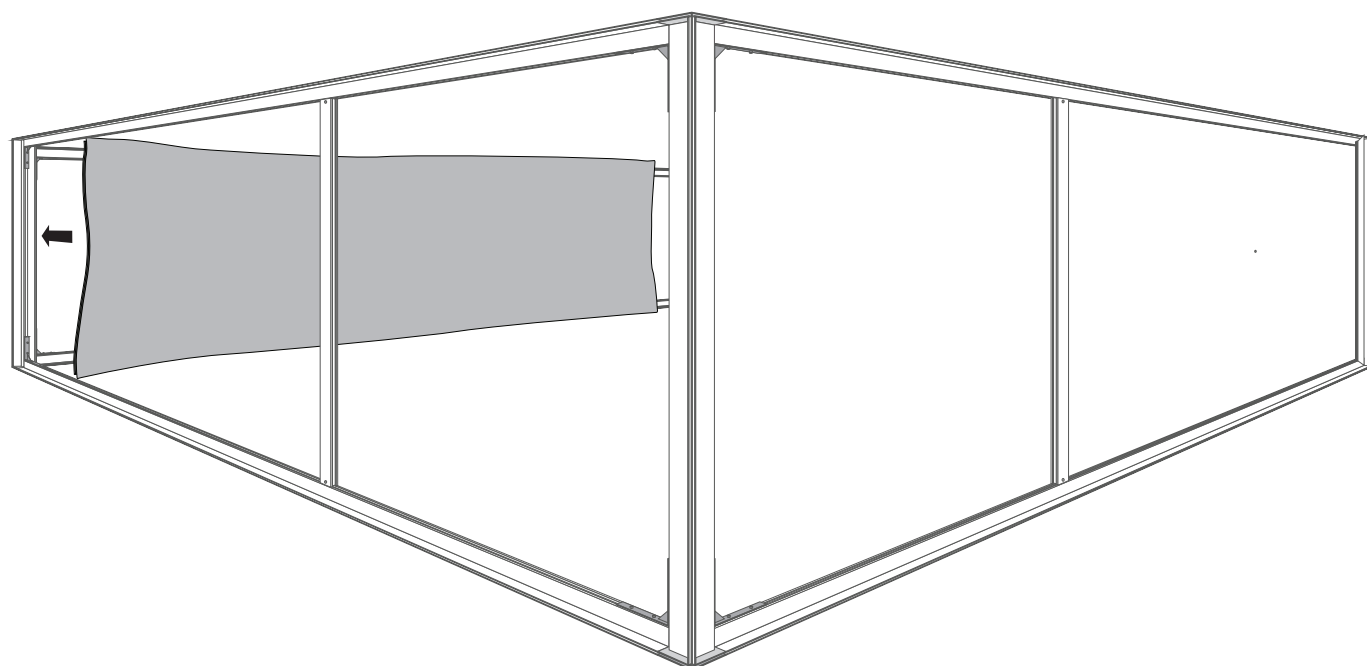
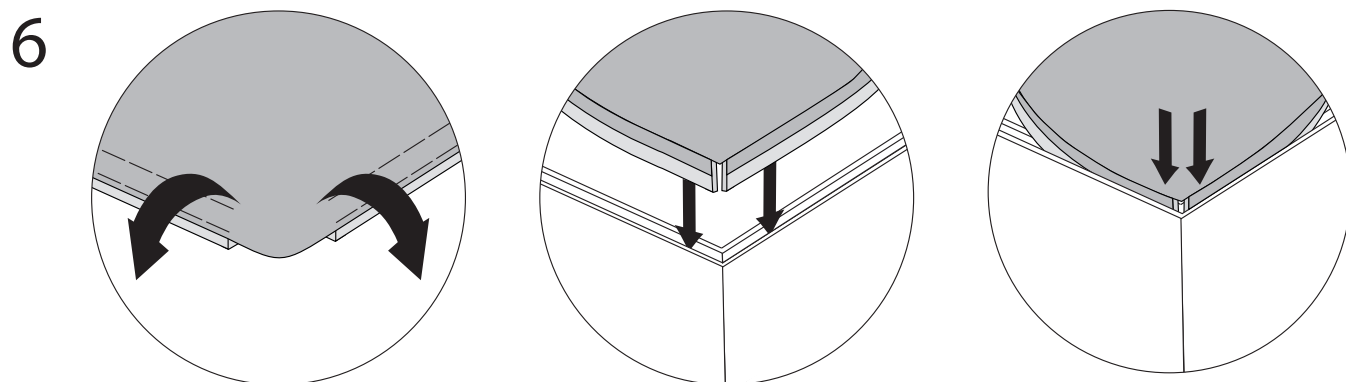
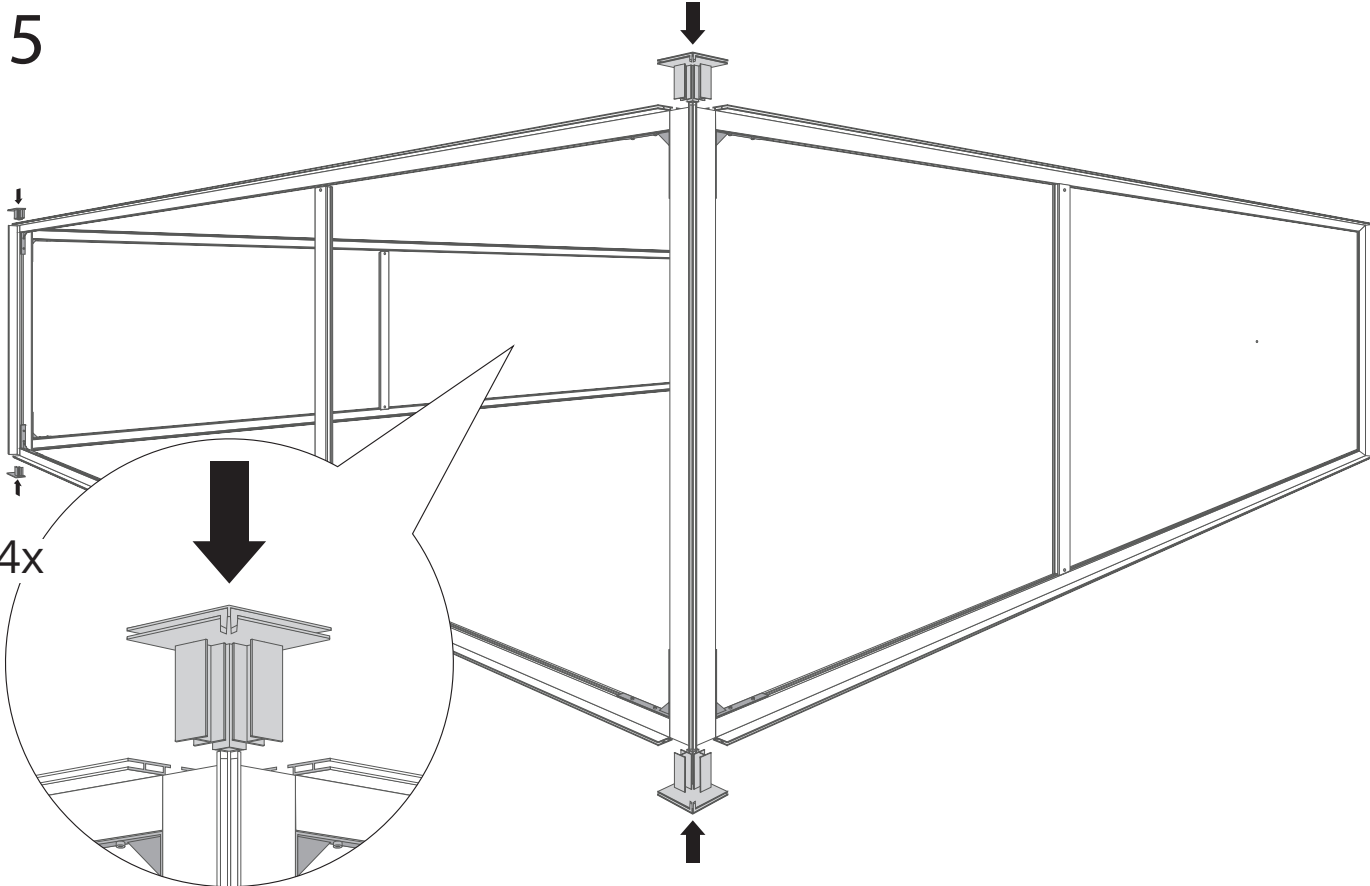


2x

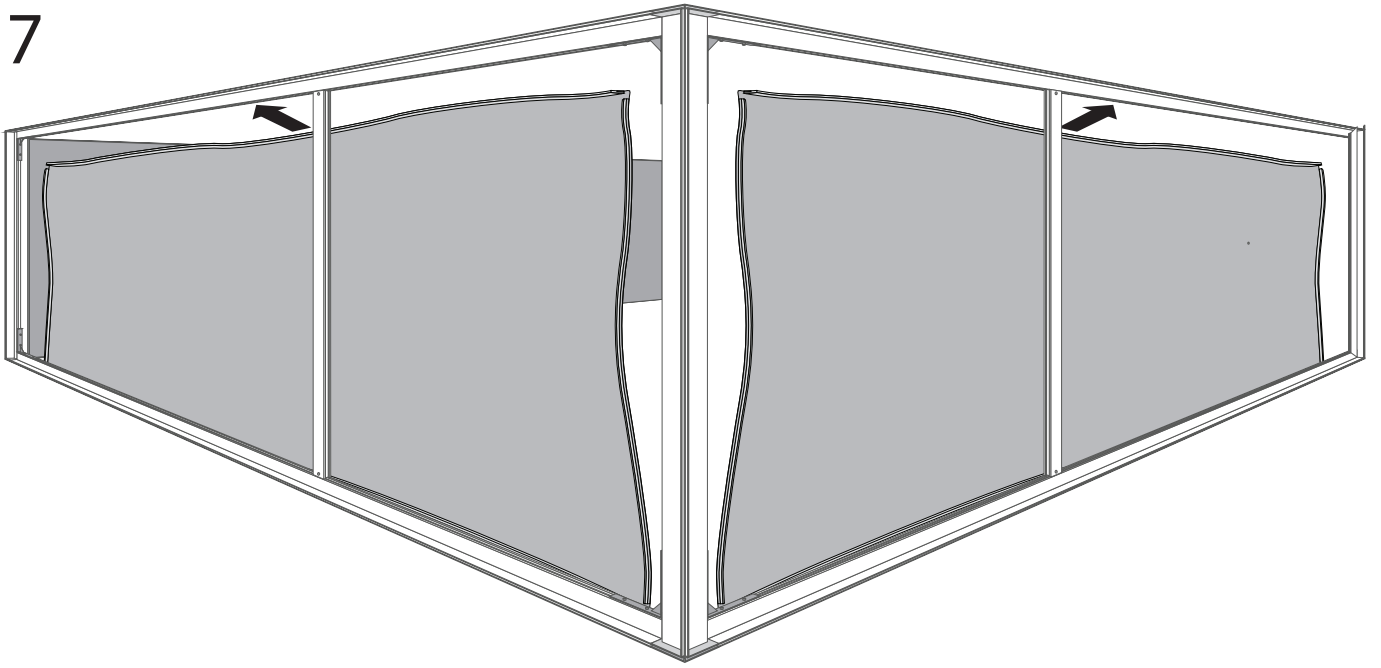


4

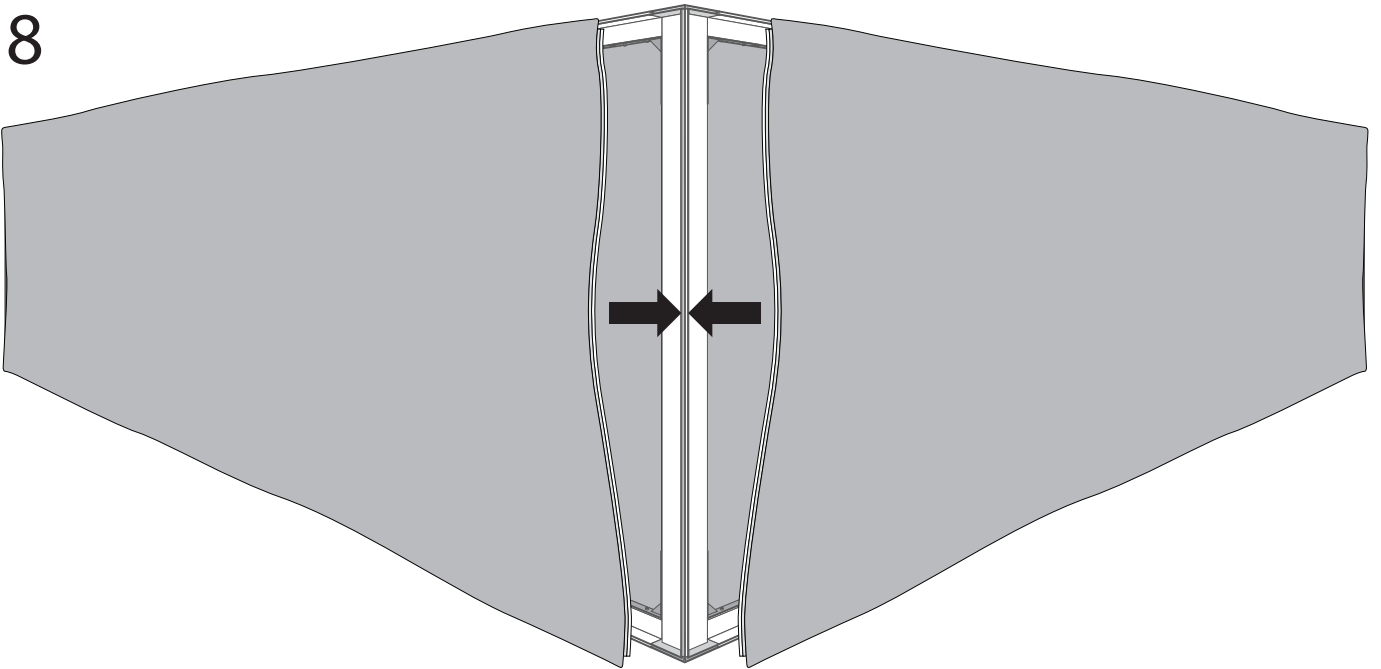




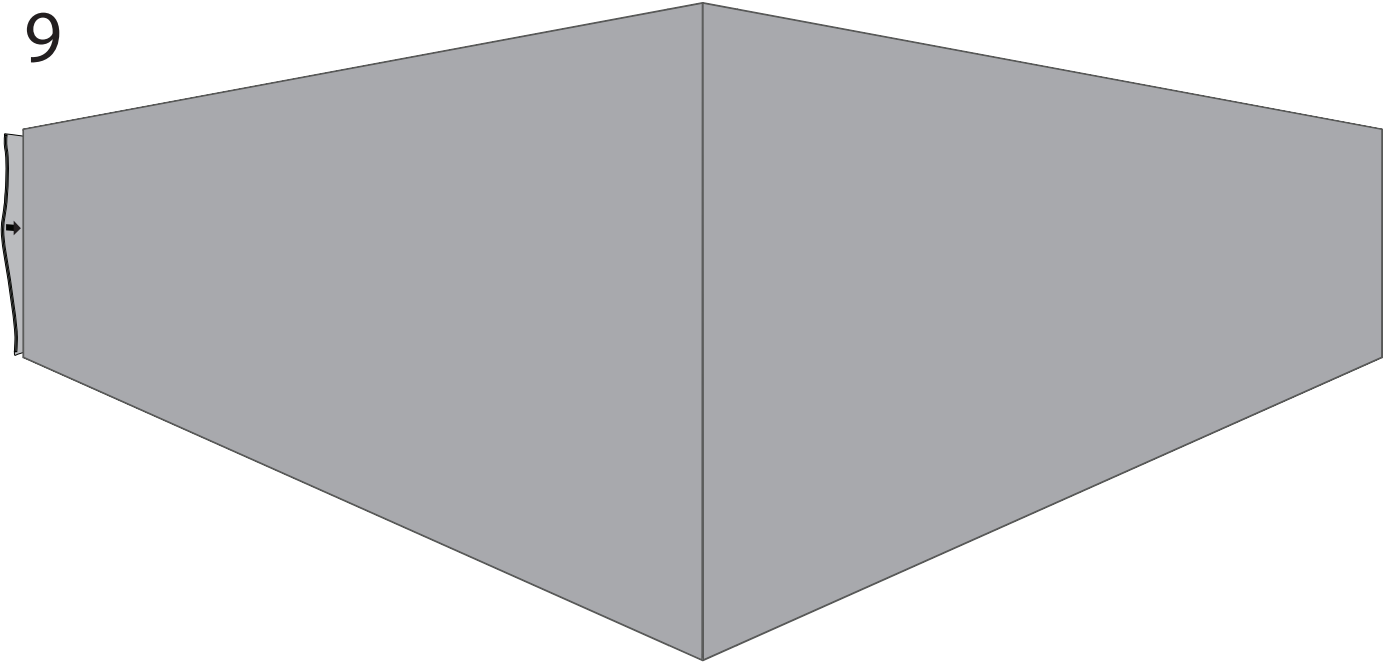
7



8



9



10

